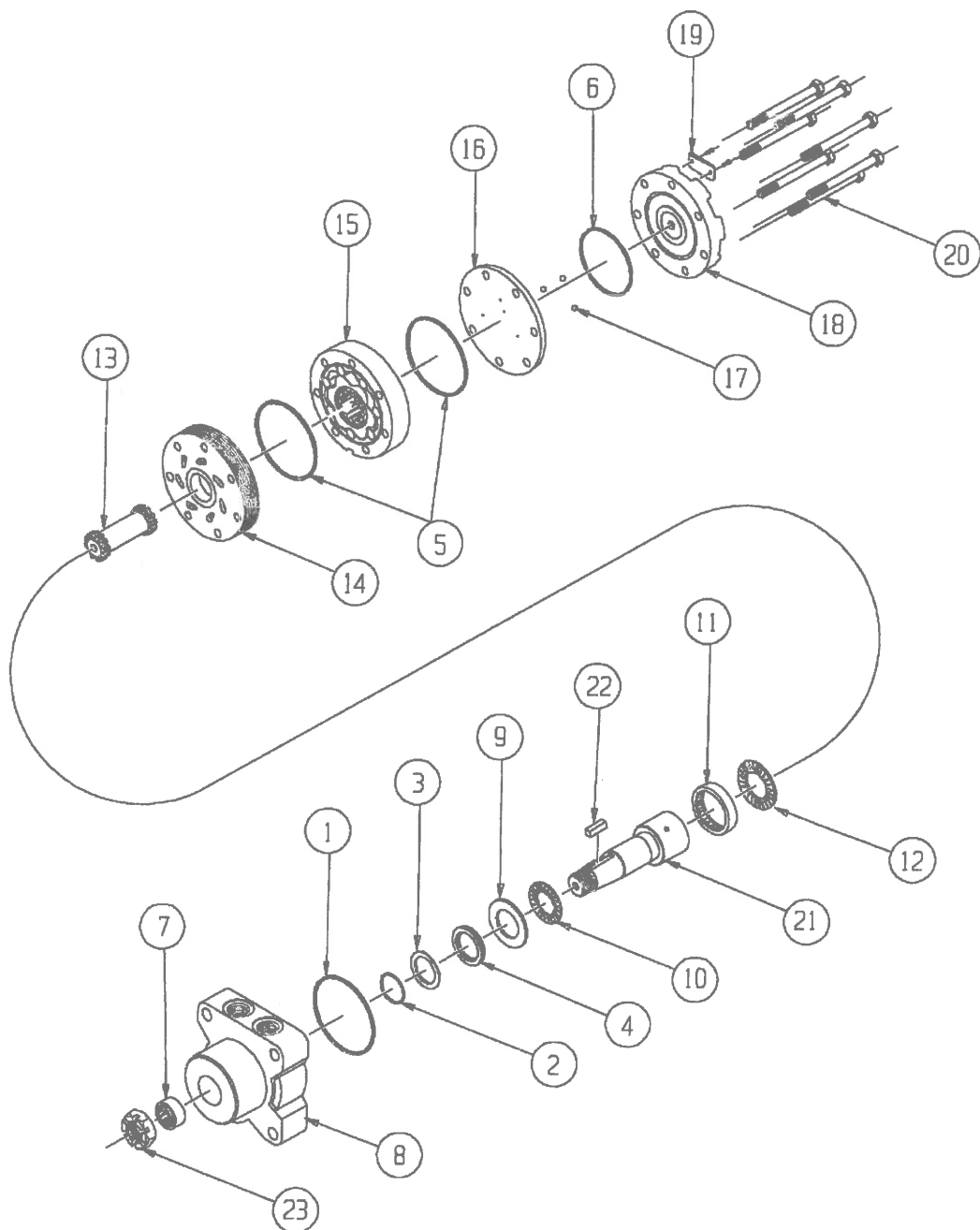


CE (400) Series



CE (400) SERIES MOTOR COMPONENTS

SEAL KIT 400444200

DESCRIPTION	EXP. VIEW ITEM #	KIT
HOUSING SEAL	1	ITEMS # 1-6 INCLUDED IN SEAL KIT 400444200
METAL SHIM	2	
TEFLON BACK-UP SEAL	3	
SHAFT SEAL	4	
BODY SEALS (2)	5	
ENDCOVER SEAL	6	
NOTE: REAR BEARING (#11) MUST BE REMOVED TO REPLACE SEAL KIT ITEMS #2-4. IT IS RECOMMENDED THAT A NEW REAR BEARING BE INSTALLED WHEN REPLACING THESE ITEMS.		

MISCELLANEOUS KITS

DESCRIPTION	EXP. VIEW ITEM #	KIT
FRONT HOUSING BEARING	7	400180001
FRONT THRUST WASHER	9	500018253
FRONT THRUST BEARING	10	500018252
REAR HOUSING BEARING	11	500018002
REAR THRUST BEARING	12	500018059
FORWARD MANIFOLD (CCW O R"0")	14	500015008
REVERSE MANIFOLD (CW OR "1")	14	500015007
BALANCE PLATE	16	500012001
STEEL BALLS (3)	17	500018048
ENDCOVER	18	500018001
1000 PSI RELIEF VALVE	NOT SHOWN	500018228
2000 PSI RELIEF VALVE	NOT SHOWN	500018231
3/4-28 SLOTTED NUT	NOT SHOWN	200229300
3/4-28 PACK NUT	NOT SHOWN	200018077
1.00-20 UNEF SOLID NUT	24	500449303
1.00-20 UNEF LOCK NUT	24	300339303P
1.00-20 UNEF SLOTTED NUT	24	500449304

ROTORS, DRIVE LINKS AND SPACERS, AND BOLTS

WHEN CHANGING MOTOR DISPLACEMENTS, A MATCHING ROTOR AND BOLT SET KIT MUST BE ORDERED. A NEW DRIVE LINK KIT MAY BE NECESSARY.

EXPLODED VIEW ITEM #	15	15	13	20
DISPLACEMENT	STANDARD ROTOR KIT	FREETURN ROTOR KIT	DRIVE LINK KIT	BOLT SET KIT
120	500087005	500087008	400140007	500445008
180	500137005	500137011	400140007	500445008
200	500187004	500187011	400140012	500445012
230	500147002	500147004	400140014	500445014
260	500227000	500227004	400140016	500445014
300	500247005	500247011	400140018	500445018
350	500207000	500207004	400140020	500445028
375	500307005	500307011	400140024	500445024
470	500357003	500357005	400140020	500445028
540	500407005	500407011	400140032	500445032
750	500607005	500607011	400140045	500445045

HOUSING KITS

HOUSING KITS INCLUDE THE FRONT BEARING (#7), METAL SHIM (#2), TEFLON BACK-UP SEAL(#3), AND SHAFT SEAL (#4) INSTALLED IN THE HOUSING.

DESCRIPTION	EXPLODED VIEW ITEM #	HOUSING KIT
#W38- WHEEL MOUNT W/1/2" BSP.F PORTS	8	400130005
#W31- WHEEL MOUNT (7/8" O-RING PORTS)	8	400130007
#K31- WHEEL MOUNT W/BRAKE MOUNT (7/8" O-RING PORTS)	8	400130011
#K38- WHEEL MOUNT W/BRAKE MOUNT (1/2"-14 BSP.F PORTS)	8	400130031
#W38- WHEEL MOUNT WITH VALVE CAVITY (1/2"-14 BSP.F PORTS)	8	400130035
#W31- WHEEL MOUNT W/VALVE CAVITY (7/8" O-RING PORTS)	8	400130037

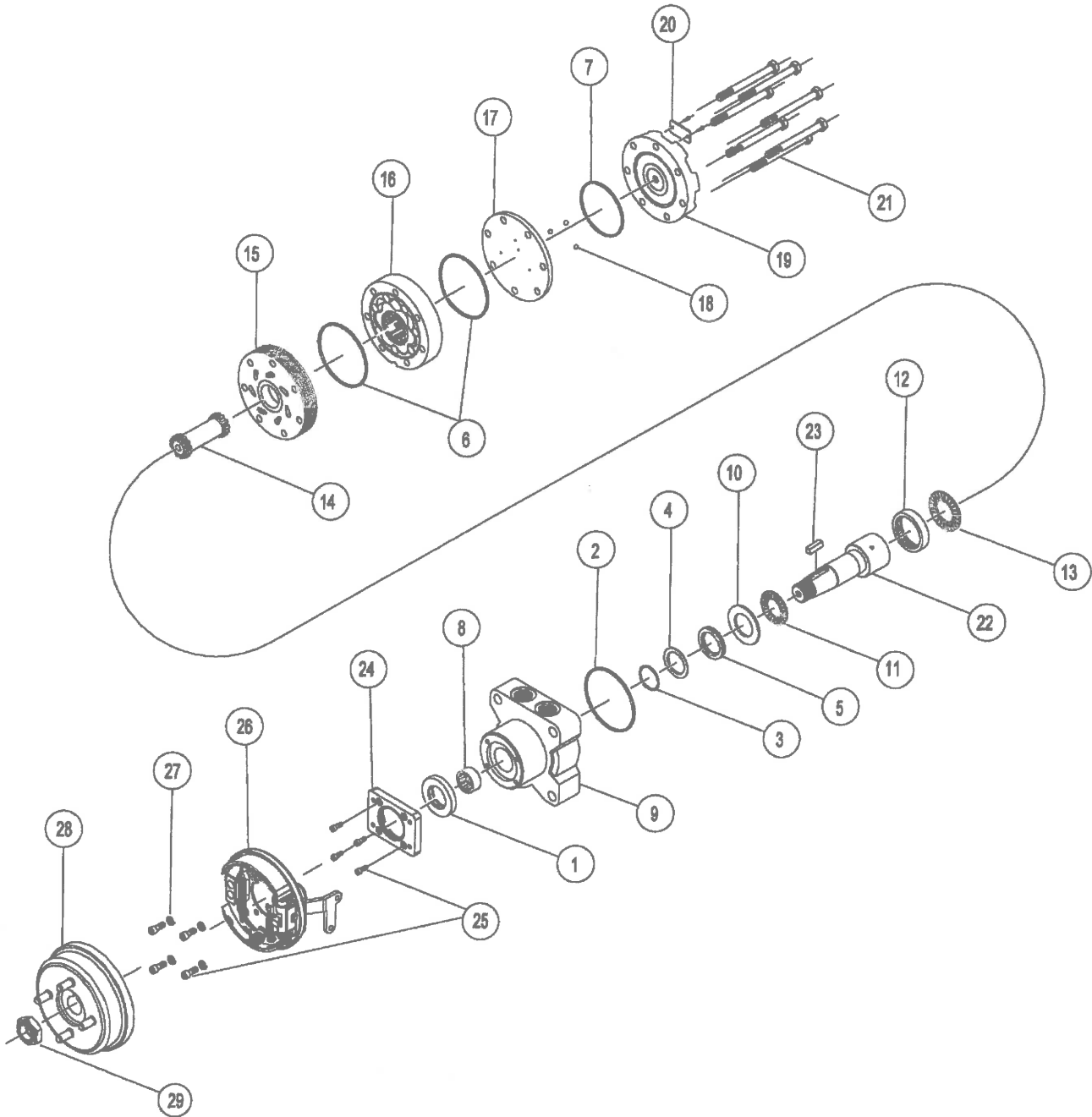
SHAFTS AND RELATED COMPONENTS KITS

SHAFT KITS COME WITH RELATED SHAFT COMPONENTS (i.e. keys, nuts, etc.)

TO ORDER INDIVIDUAL SHAFT COMPONENTS (i.e. keys, nuts, bolts, washers or wire rings) USE THE KIT NUMBER FOR EACH INDIVIDUAL PART.

EXPLODED VIEW ITEM #	21	22	23	NOT SHOWN	NOT SHOWN	NOT SHOWN
DESCRIPTION	SHAFT KIT	KEY KIT	NUT KIT	BOLT KIT	WASHER KIT	WIRE RING KIT
#10- 1" STRAIGHT	400110000	500449100		---	---	---
#13- 1" TAPERED	400110001	200229102	SEE MISC.	---	---	---
#02- 6-B SPLINE (1")	400110002	---	KITS LIST	---	---	---
#22- 1-1/4" TAPERED	400110003	500449101		---	---	---
#20- 1-1/4" STRAIGHT	400110004	500449102		500449301	500449302	500449201
#23- 14 TOOTH SPLINE (1-1/4")	400110005	---		---	---	500449201
#25- 1-1/4" TAPERED EXTENDED	400110010	200229102		---	---	---

CE (410) Series



CE (410) SERIES MOTOR BRAKE COMPONENTS

SEAL KIT 400444300

DESCRIPTION	EXP. VIEW ITEM #	KIT
DUST SEAL	1	ITEMS # 1-7 INCLUDED IN SEAL KIT 400444300
REAR HOUSING SEAL	2	
METAL SHIM	3	
BACK-UP SEAL	4	
SHAFT SEAL	5	
BODY SEALS (2)	8	
ENDCOVER SEAL	7	
REAR HOUSING BEARING	12	ITEMS # 1-7 & 12 INCLUDED IN SEAL KIT 400444300E
NOTE: REAR BEARING (#12) MUST BE REMOVED TO REPLACE SEAL KIT ITEMS #3-5. OR FRONT THRUST BEARING AND WASHERS (#10-11). IT IS RECOMMENDED THAT A NEW REAR BEARING BE INSTALLED WHEN ASSEMBLING.		

MISCELLANEOUS KITS

DESCRIPTION	EXP. VIEW ITEM #	KIT
FRONT HOUSING BEARING	8	400018008
FRONT THRUST WASHER	10	500018263
FRONT THRUST BEARING	11	500018252
REAR HOUSING BEARING	12	500018002
REAR THRUST BEARING	13	500018059
FORWARD MANIFOLD (CCW O R"0")	15	500015006
REVERSE MANIFOLD (CW OR "1")	15	500015007
BALANCE PLATE	17	500012001
STEEL BALLS (3)	18	500018048
ENDCOVER	19	500018001
BRAKE MOUNTING BLOCK	24	400180048
MOUNTING BOLTS (4)	25	400180050
BRAKE KIT (LEFT HAND LEVER)	NOT SHOWN	400180047
BRAKE KIT (RIGHT HAND LEVER)	26	400180046
LOCK WASHERS	27	400180045
4 BOLT BRAKE HUB	28	400180008
5 BOLT BRAKE HUB	NOT SHOWN	400018500

ROTORS, DRIVE LINKS AND SPACERS, AND BOLTS

WHEN CHANGING MOTOR DISPLACEMENTS, A MATCHING ROTOR AND BOLT SET KIT MUST BE ORDERED. A NEW DRIVE LINK KIT MAY BE NECESSARY.

EXPLODED VIEW ITEM #	16	16	14	21
DISPLACEMENT	STANDARD ROTOR KIT	FREETURN ROTOR KIT	DRIVE LINK KIT	BOLT SET KIT
120	500087005	500087008	400140007	500445006
160	500137005	500137011	400140007	500445006
200	500167004	500187011	400140012	500445012
230	500147002	500147004	400140014	500445014
280	500227000	500227004	400140016	500445014
300	500247005	500247011	400140018	500445018
350	500207000	500207004	400140020	500445026
375	500307005	500307011	400140024	500445024
470	500357003	500357005	400140020	500445026
540	500407005	500407011	400140032	500445032
750	500607005	500607011	400140045	500445045

HOUSING KITS

HOUSING KITS INCLUDE THE FRONT BEARING (#8), METAL SHIM (#3), POLYAMIDE BACK-UP SEAL (#4), AND SHAFT SEAL (#5) INSTALLED IN THE HOUSING.

DESCRIPTION	EXPLODED VIEW ITEM #	HOUSING KIT
#K31- SETBACK FLANGE W/BRAKE MOUNT (7/8-14 O-RING PORTS)	9	400130041
#K38- SETBACK FLANGE W/BRAKE MOUNT (1/2-14 BSP.F PORTS)	9	400130042
#K35- SETBACK FLANGE W/BRAKE MOUNT (9/16-18 PORTS)	9	400130043

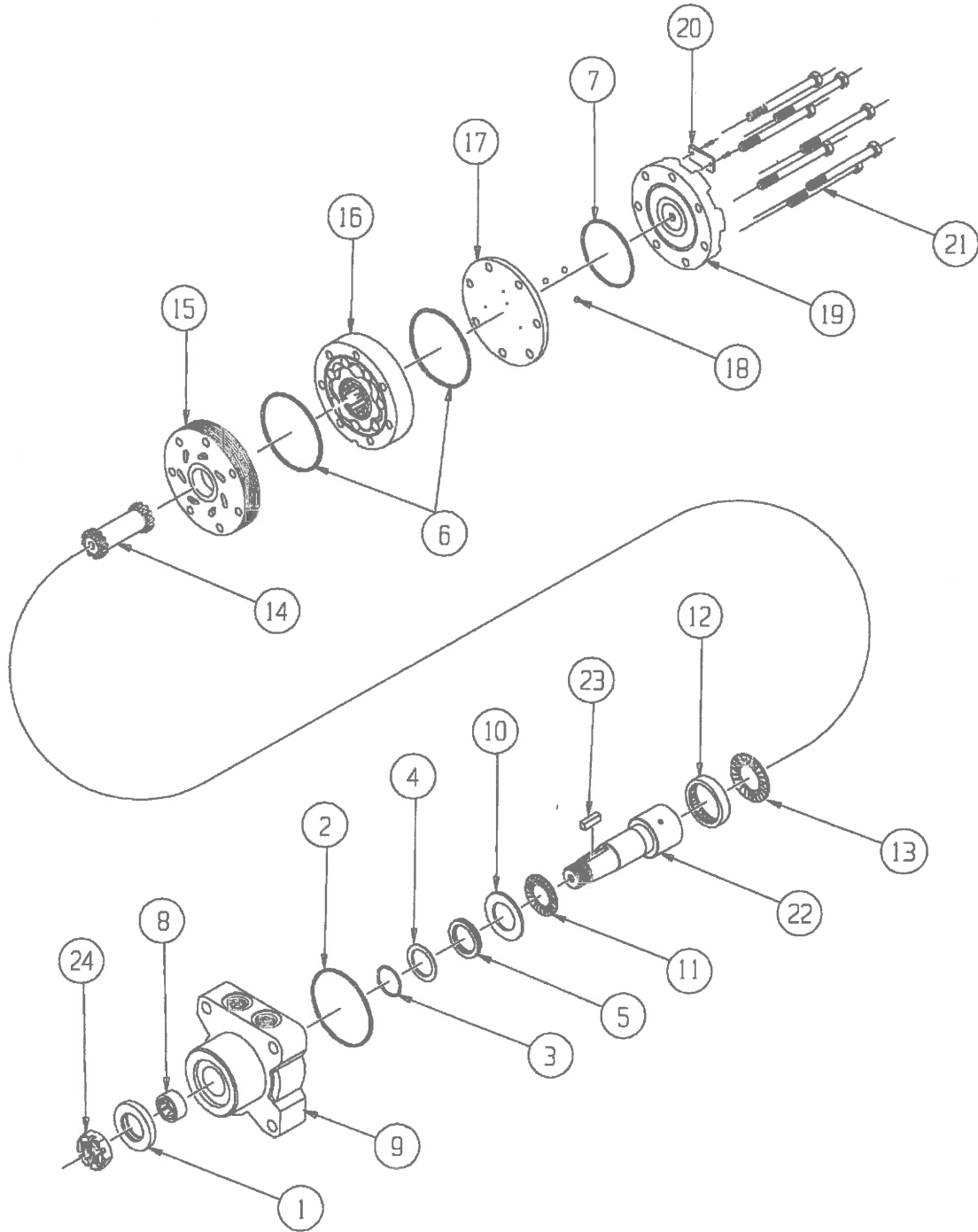
SHAFTS AND RELATED COMPONENTS KITS

SHAFT KITS COME WITH RELATED SHAFT COMPONENTS (i.e. keys, nuts, etc.)

TO ORDER INDIVIDUAL SHAFT COMPONENTS (i.e. keys, nuts, bolts, washers or wire rings) USE THE KIT NUMBER FOR EACH INDIVIDUAL PART.

EXPLODED VIEW ITEM #	22	23	29
DESCRIPTION	SHAFT KIT	KEY KIT	NUT KIT
#22- 1-1/4" TAPERED	400110043	500448108	300339303P

CE (420) Series



CE (420) SERIES MOTOR COMPONENTS

SEAL KIT 400444300

DESCRIPTION	EXP. VIEW ITEM #	KIT
DUST SEAL	1	ITEMS # 1-7 INCLUDED IN SEAL KIT 400444300
REAR HOUSING SEAL	2	
METAL SHIM	3	
BACK-UP SEAL	4	
SHAFT SEAL	5	
BODY SEALS (2)	6	
ENDCOVER SEAL	7	
NOTE: REAR BEARING (#12) MUST BE REMOVED TO REPLACE SEAL KIT ITEMS #1-3. OR FRONT THRUST BEARING AND WASHERS (#9-10). IT IS RECOMMENDED THAT A NEW REAR BEARING BE INSTALLED WHEN ASSEMBLING.		

MISCELLANEOUS KITS

DESCRIPTION	EXP. VIEW ITEM #	KIT
FRONT HOUSING BEARING	8	400018008
FRONT THRUST WASHER	10	500018253
FRONT THRUST BEARING	11	500018252
REAR HOUSING BEARING	12	500018002
REAR THRUST BEARING	13	500018059
FORWARD MANIFOLD (CCW O R"0")	15	500015006
REVERSE MANIFOLD (CW OR "1")	15	500015007
BALANCE PLATE	17	500012001
STEEL BALLS (3)	18	500018048
ENDCOVER	19	500018001
1.00-20 UNEF SOLID NUT	NOT SHOWN	500449303
1.00-20 UNEF LOCK NUT	NOT SHOWN	300339303P
1.00-20 UNEF SLOTTED NUT	24	500449304

ROTORS, DRIVE LINKS AND SPACERS, AND BOLTS

WHEN CHANGING MOTOR DISPLACEMENTS, A MATCHING ROTOR AND BOLT SET KIT MUST BE ORDERED. A NEW DRIVE LINK KIT MAY BE NECESSARY.

EXPLODED VIEW ITEM #	16	16	14	21
DISPLACEMENT	STANDARD ROTOR KIT	FREETURN ROTOR KIT	DRIVE LINK KIT	BOLT SET KIT
120	500087005	500087008	400140007	500445008
160	500137005	500137011	400140007	500445006
200	500167004	500167011	400140012	500445012
230	500147002	500147004	400140014	500445014
280	500227000	500227004	400140016	500445014
300	500247005	500247011	400140018	500445018
350	500207000	500207004	400140020	500445026
375	500307005	500307011	400140024	500445024
470	500357003	500357005	400140020	500445026
540	500407005	500407011	400140032	500445032
750	500607005	500607011	400140045	500445045

HOUSING KITS

HOUSING KITS INCLUDE THE FRONT BEARING (#8), METAL SHIM (#3), BACK-UP SEAL (#4), AND SHAFT SEAL (#5) INSTALLED IN THE HOUSING.

DESCRIPTION	EXPLODED VIEW ITEM #	HOUSING KIT
#W35- SETBACK FLANGE (9/16" O-RING PORTS)	9	400130044
#W38- SETBACK FLANGE (1/2-14 BSP.F PORTS)	9	400130045
#W31- SETBACK FLANGE (7/8-14 O-RING PORTS)	9	400130047
#P38- SETBACK FLANGE 3.25 PILOT (1/2-14 BSP.F PORTS)	9	400130085
#P35- SETBACK FLANGE 3.25 PILOT (9/16-18 BSP.F PORTS)	9	400130084

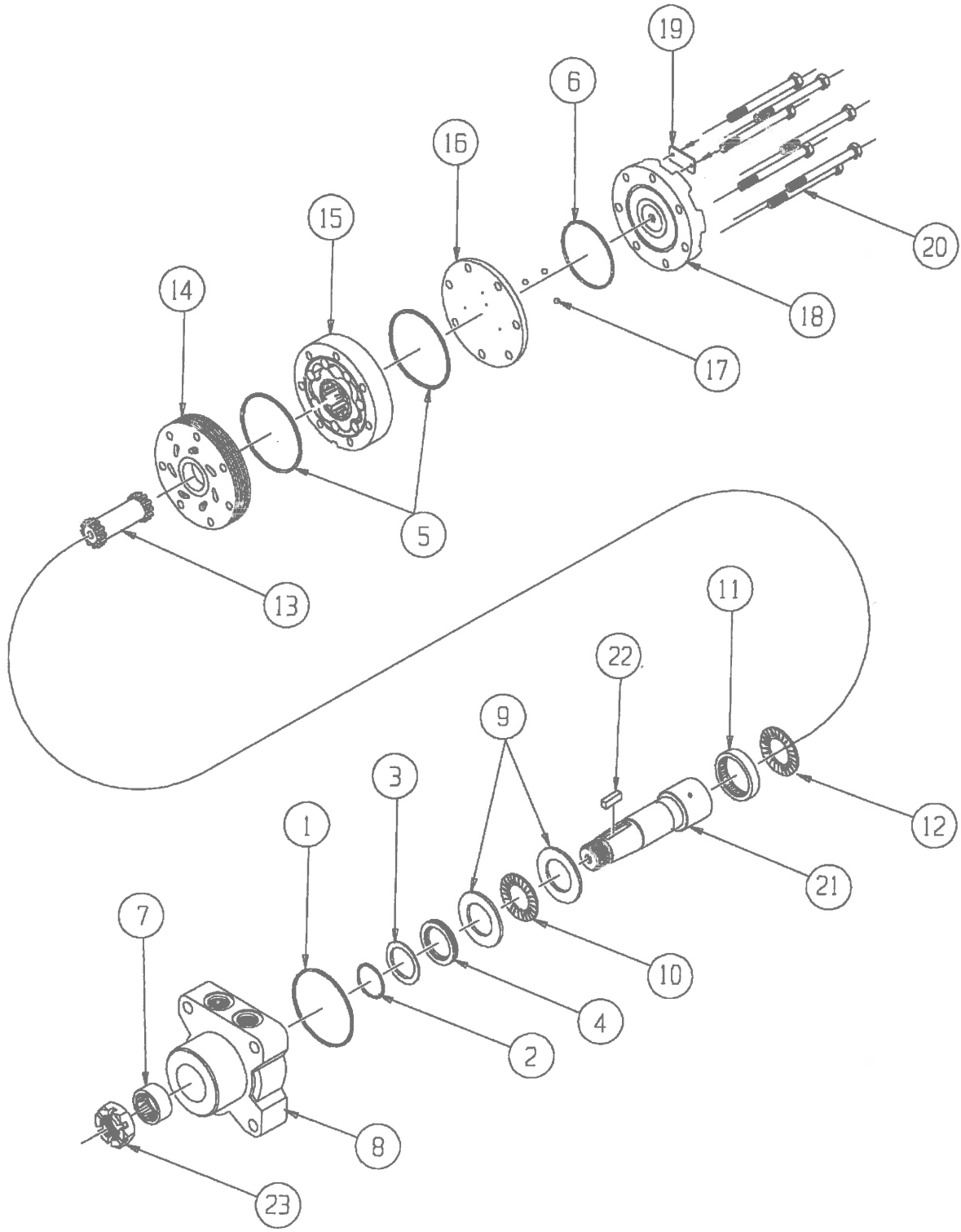
SHAFTS AND RELATED COMPONENTS KITS

SHAFT KITS COME WITH RELATED SHAFT COMPONENTS (i.e. keys, nuts, etc.)

TO ORDER INDIVIDUAL SHAFT COMPONENTS (i.e. keys, nuts, bolts, washers or wire rings) USE THE KIT NUMBER FOR EACH INDIVIDUAL PART.

EXPLODED VIEW ITEM #	22	23	24
DESCRIPTION	SHAFT KIT	KEY KIT	NUT KIT
#22- 1-1/4" TAPERED	400110043	500449108	SEE MISC.4

CE (430) Series



CE (430) SERIES MOTOR COMPONENTS

SEAL KIT 400444250

DESCRIPTION	EXP. VIEW ITEM #	KIT
HOUSING SEAL	1	ITEMS # 1-6 INCLUDED IN SEAL KIT 400444250
METAL SHIM	2	
BACK-UP SEAL	3	
SHAFT SEAL	4	
BODY SEALS (2)	5	
ENDCOVER SEAL	6	
NOTE: REAR BEARING (#11) MUST BE REMOVED TO REPLACE SEAL KIT ITEMS #2-4. OR FRONT THRUST BEARING AND WASHERS (#9-10). IT IS RECOMMENDED THAT A NEW REAR BEARING BE INSTALLED WHEN ASSEMBLING.		

MISCELLANEOUS KITS

DESCRIPTION	EXP. VIEW ITEM #	KIT
FRONT HOUSING BEARING	7	500018203
FRONT THRUST WASHER (2)	9	500118002
FRONT THRUST BEARING	10	500118003
REAR HOUSING BEARING	11	500018002
REAR THRUST BEARING	12	500018059
FORWARD MANIFOLD	14	500015006
REVERSE MANIFOLD	14	500015007
BALANCE PLATE	16	500012001
STEEL BALLS (3)	17	500018048
ENDCOVER	18	500016001
1000 PSI RELIEF VALVE	NOT SHOWN	500018228
2000 PSI RELIEF VALVE	NOT SHOWN	500018231
3000 PSI RELIEF VALVE	NOT SHOWN	500018221
1.125 - 18 UNEF SLOTTED HEX NUT	23	700018038
1.125 - 18 UNEF SOLID HEX NUT	23	700018054
M24 X 1.5 SLOTTED HEX NUT (#48)	23	500448306

ROTORS, DRIVE LINKS AND SPACERS, AND BOLTS

WHEN CHANGING MOTOR DISPLACEMENTS, A MATCHING ROTOR AND BOLT SET KIT MUST BE ORDERED. A NEW DRIVE LINK KIT MAY BE NECESSARY.

EXPLODED VIEW ITEM #	15	15	13	20
DISPLACEMENT	STANDARD ROTOR KIT	FREETURN ROTOR KIT	DRIVE LINK KIT	BOLT SET KIT
120	500087005	500087008	400140007	500445008
180	500137005	500137011	400140007	500445006
200	500167004	500167011	400140012	500445012
230	500147002	500147004	400140014	500445014
280	500227000	500227004	400140016	500445014
300	500247005	500247011	400140018	500445018
350	500207000	500207004	400140020	500445026
375	500307005	500307011	400140024	500445024
470	500357003	500357005	400140020	500445026
540	500407005	500407011	400140032	500445032
750	500807005	500807011	400140045	500445045

HOUSING KITS

HOUSING KITS INCLUDE THE FRONT BEARING (#7), METAL SHIM (#2), BACK-UP SEAL (#3), AND SHAFT SEAL (#4) INSTALLED IN THE HOUSING.

DESCRIPTION	EXPLODED VIEW ITEM #	HOUSING KIT
#W31- SETBACK FLANGE (7/8 - 14 PORTS)	8	400130020
#K31- SETBACK FLANGE WITH BRAKE MOUNT (7/8 - 14 PORTS)	8	400130021
#W35- SETBACK FLANGE (9/16 - 18 PORTS)	8	4001300245
#W38- SETBACK FLANGE (1/2 - 14 BSP.F)	8	400130025
#W31- SETBACK FLANGE WITH RELIEF VALVE (7/8 - 14 PORTS)	8	400130050
#K38- WHEEL MOUNT W/BRAKE MOUNT (1/2"-14 BSP.F PORTS)	8	400130055
#W38- WHEEL MOUNT W/VALVE CAVITY (1/2"-14 BSP.F PORTS)	8	400130058

SHAFTS AND RELATED COMPONENTS KITS

SHAFT KITS COME WITH RELATED SHAFT COMPONENTS (i.e. keys, nuts, etc.)

TO ORDER INDIVIDUAL SHAFT COMPONENTS (i.e. keys, nuts, bolts, washers or wire rings) USE THE KIT NUMBER FOR EACH INDIVIDUAL PART.

EXPLODED VIEW ITEM #	21	22	23
DESCRIPTION	SHAFT KIT	KEY KIT	NUT KIT
#31- 1-1/2" TAPERED	400110031	500449108	SEE MISC. KITS LIST
#28- 35MM TAPERED	400110053	500449104	